

Mobile Work Platforms

Product Selection Guide



Durability and Mobility

Accessing heights with low maintenance



Secure

BrandSafway's mobile work platforms are one of the safest options for painters, plasterers, maintenance workers and various other trades that require a firm working platform.

- A swing-in gate on each side of the platform offers safe access, and guardrail panels always provide the correct guardrail location, regardless of the platform level
- Two guardrail panels (complete with toeboards) connect to provide proper guardrail protection on all four sides

There are no loose nuts and bolts, and no special tools are required for construction.

Durable

Our company's history in scaffold design and service is based on product strength and durability, a standard evident in the construction of mobile work platforms. Durability features and benefits include:

- Rigid square steel construction
- Special side brace configuration that protects the plywood deck

- Platform side braces that attach to frames with heavy-duty, spring-loaded lock pins that are secured when rotated
- 5" casters that are equipped with a wheel and swivel lock

User Friendly

Mobile work platforms are available in three heights (6', 9' and 12'), and their ease of use is boasted through the product's name. The mobility and accessibility of our platforms is clear through an abundance of features and benefits:

- Easily set up by one person
- Glides through 30"-wide doorways
- Independent adjustment of each ladder frame permits use on stairways
- Platform adjusts up or down in 4" increments
- Side braces allow movement over lower obstacles and eliminates the need for lower cross braces
- Workers can climb ladder frames at either end for easy platform access
- A disassembled unit can be stored in the space required for a stepladder

Mobile Work Platform Order Kits

Kit Combinations

Application	Kits
6' Mobile Work	SWP
6' Mobile Work with Guardrails	SWP, SWPGRA
9' Mobile Work	SWP, SWPGRA, SWP3X, SWPNORA
12' Mobile Work	SWP, SWPGRA, SWP6X, SWPNORA

Mobile Work Platform (Order Kit SWP)

Part No.	Quantity	Description	Weight (each)
SWPF6	2	End ladder frames, 6'	26 lbs.
SWPPS	2	Side braces	22 lbs.
SWPP	1	Plywood platform	30 lbs.
SWPC5R	4	Swivel caster w/ locks	6 lbs.
SP	4	Snap Pins	0.1 lbs.

Guardrail Panel Assembly (Order Kit SWPGRA)

Part No.	Quantity	Description	Weight (each)
SWPGRP	2	Guardrail panel, 6'	36 lbs.
SWPHP	4	Hinge Pins	0.1 lbs.

Extension Assembly, 39" (Order Kit SWP3X)

Part No.	Quantity	Description	Weight (each)
SWPF39	2	Ladder Frames, 39"	15 lbs.
SWPP	1	Plywood Platform	30 lbs.
SWPPS	2	Side Braces	22 lbs.
SP	4	Snap Pins	0.1 lbs.

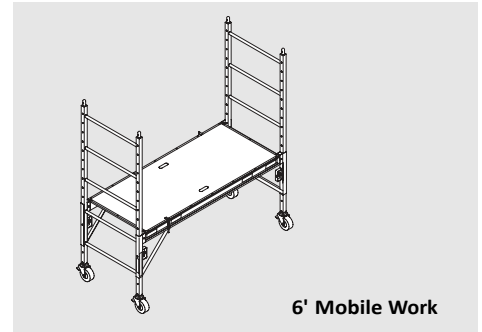
Extension Assembly, 6' (Order Kit SWP6X)

Part No.	Quantity	Description	Weight (each)
SWPF6	2	Ladder Frames, 6'	26 lbs.
SWPP	1	Plywood Platform	30 lbs.
SWPPS	2	Side Braces	22 lbs.
SP	4	Snap Pins	0.1 lbs.

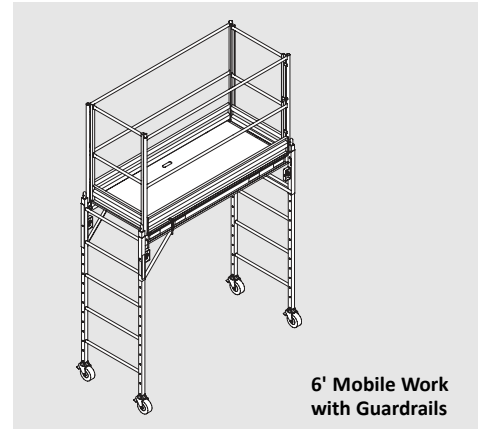
Narrow Outrigger Assembly (Order Kit SWPNORA)

Part No.	Quantity	Description	Weight (each)
SWPNOR	4	Narrow Outriggers	32 lbs.
SWPC5R	4	Casters, 5"	6 lbs.
SP	4	Snap Pins	0.1 lbs.

WARNING
 CALIFORNIA AND SOME OTHER STATES REQUIRE A HEIGHT-TO-MINIMUM-BASE WIDTH RATIO OF THREE TO ONE (3:1). REFER TO THE GOVERNING CODES FOR YOUR JOB LOCATION.



6' Mobile Work



6' Mobile Work with Guardrails



9' Mobile Work



12' Mobile Work



With a commitment to safety as its foremost value, BrandSafway was created when Brand Energy and Infrastructure Services and Safway Group combined in 2017. BrandSafway is a portfolio company of Clayton, Dubilier & Rice.

All drawings on this sheet are for illustrative purposes only. This sheet is intended for general information purposes only. Because of the many variables which affect the performance of the product line, some of the information in this brochure may not apply. For specific applications, contact BrandSafway.

NOTE: All scaffolds shall be erected, modified and dismantled only under the supervision of a Competent Person. Erection, use, maintenance and disassembly must conform to current manufacturer's instructions as well as all federal, state, provincial and local regulations. Copies of complete Safety Guidelines for these and other products are available from BrandSafway without charge.

Brand Industrial Services, Inc.
1325 Cobb International Dr. Ste A-1
Kennesaw, GA USA 30152
Toll free: 800 558 4772

For more information, visit our website at
www.brandsafway.com