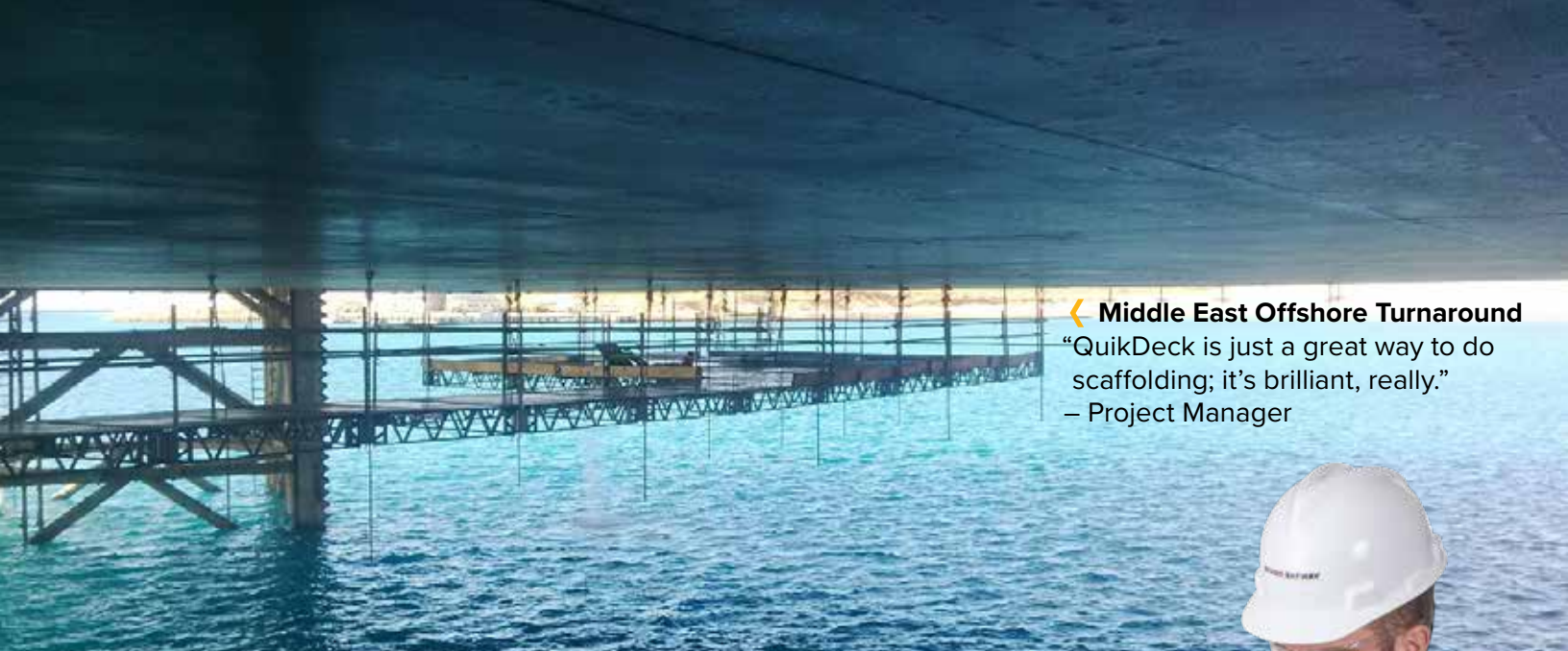


A large steel truss bridge is shown from a low angle, looking up at its massive structure. The bridge is under construction, with a complex network of steel beams and girders. A suspended access system, consisting of multiple levels of metal walkways and ladders, is attached to the bridge's structure, providing workers with a safe and efficient way to reach different parts of the bridge. The bridge spans across a body of water, with a stone pier visible in the foreground. In the background, there are buildings and trees along the shoreline.

# QuikDeck®

## Suspended Access System

Easy, safe & efficient



◀ **Middle East Offshore Turnaround**  
“QuikDeck is just a great way to do scaffolding; it’s brilliant, really.”  
– Project Manager

## ▶ A factory floor in the air

Designed for access challenges in the air, around curves, in tight corners and underneath structures, BrandSafway’s proprietary and patented QuikDeck Suspended Access System improves productivity, reduces costs, saves time and, most importantly, increases safety. A factory floor in the air, QuikDeck allows multiple craftspeople to easily and efficiently work side by side and use heavy equipment.



### ▶ **Longfellow Bridge (Boston, Massachusetts)**

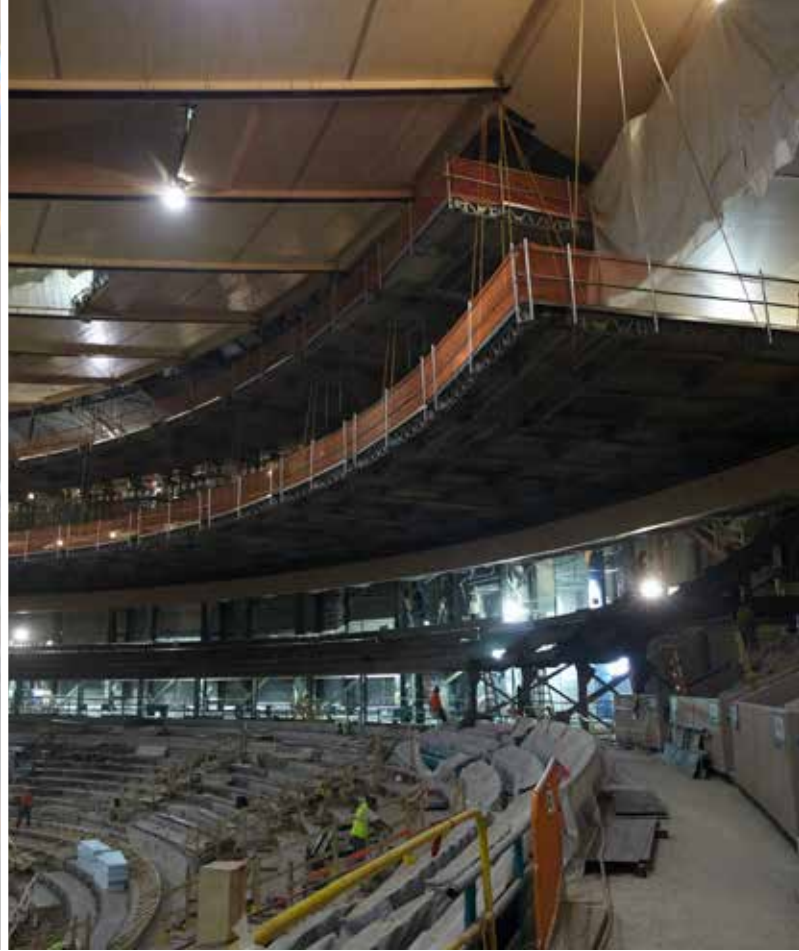
“QuikDeck provides much more traction, plus it gives us a more secure feeling. Stability-wise and strength-wise, there’s no comparison to the other systems I’ve worked on.”

– Superintendent of construction company



### ▶ **Ohio Valley 650 Megawatt Unit**

By creating a platform inside a boiler 180 feet in the air (suspended by chains and supported by existing steel beams), instead of using a supported scaffold solution, the total budget for the job was cut in half and the overall timetable was reduced.



#### ⤴ **Primary Separation Vessel (Alberta, Canada)**

QuikDeck's ability to be engineered to fit any shape allowed a customer to shorten the timetable for a turnaround in a primary separation vessel from 16 days to five days, saving the customer more than \$96 million.

#### ⤴ **Madison Square Garden (New York City)**

When workers needed access at Madison Square Garden during a major renovation, Penn Station, which is situated below and serves as a major NYC transportation hub, needed to remain open. QuikDeck provided the perfect solution.

#### ⤴ **Japan Bullet Train Upgrade**

“Because we are able to provide a great work environment where workers feel safe and have wide-open, flat spaces on which to work, our productivity has been very strong. QuikDeck has been critical to the success of this project.” – CEO of Nisso Industries



## › Start at the Top

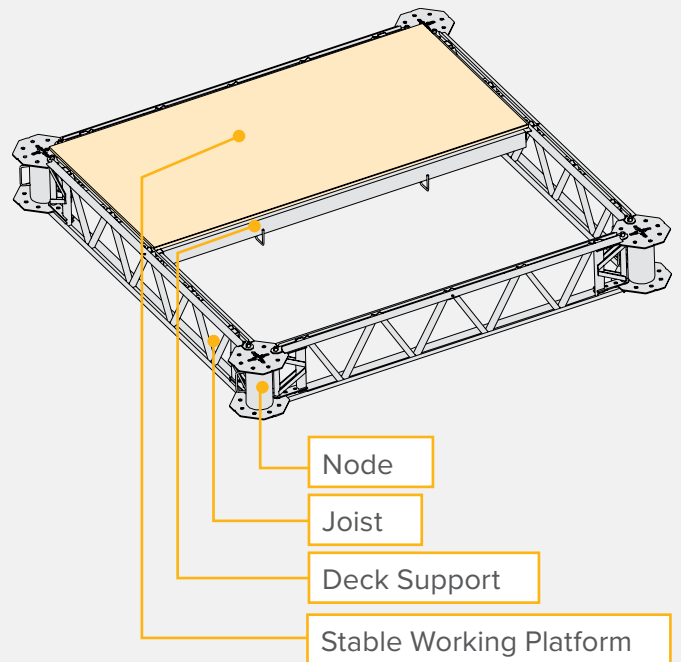
QuikDeck Suspended Access System – for faster, safer access

### Basic Components

- › **Joists:** Carry the load
- › **Nodes:** Connect joists
- › **Pins:** Connect joists to nodes
- › **Deck Supports:** Support decking panels
- › **Beam Clamps:** Connect platform to structure
- › **Chains:** Suspend platform
- › **Plywood Decking:** Provide solid work surfaces
- › **Guardrails & Toe Boards:** Ensure safety

### Benefits

- › Can be built in the air or on the ground
- › Components easily handled by one person
- › No special tools or skills required
- › Can be leapfrogged and relocated as work progresses
- › Load capacities: 25–75 psf (122–366 kg/m<sup>2</sup>)
- › Can be used in conjunction with other access and scaffold equipment



## 1 Components break down to fit through narrow openings.

- › Efficient design and fewer components means easier, faster assembly

## 2 Platforms can be built “in the air” or on the ground and hoisted into place

- › No special tools or skills required

## 3 Solid platform gives workers sturdy surface to work on.

- › Decreases chance of falling equipment, debris or tools

Brand Industrial Services, Inc.  
1325 Cobb International Dr., Ste. A-1  
Kennesaw, GA USA 30152  
T: 678 285 1400 | F: 770 514 0285

©2018 All rights reserved.

BSL 1801

**BRAND SAFWAY™**

For more information, visit [www.brandsafway.com](http://www.brandsafway.com)